

Flexibox 810
outdoor mounted



Filter with tightening filter bracket



FLEXIBOX 810 FREE COOLING FOR ELECTRONICS

Flexibox 810 is an outdoor-mounted free air cooler designed to control the internal environment of communication enclosures using minimal energy. By means of ventilation in an overpressure system, the Flexibox efficiently removes excess heat from the temperature-sensitive equipment – maintaining the temperature within defined limits.

The Flexibox can control two existing AC units, extend the AC service life and create immense power savings – even in very hot climates. Ask Dantherm for power savings calculations in your network.

With the built-in Dantherm CC4 Controller, it belongs to the 5th generation of Dantherm free cooling units. Yearlong know-how of control and energy efficiency is built in.

It is designed for long life duration and minimises installation and maintenance costs. The unit is light-weight and easy to install, with no compromise of quality or intrusion safety.

Every unit is delivered in a single package suitable for shipment to site. The package includes:

- Flexibox with built-in controller and sensor
- Indoor sensor for wall mounting
- Manuals

To achieve a fully functional installation, an air outlet damper and air outlet hood are required.

FEATURES AND BENEFITS

Energy efficiency and environment

- Total heat management – designed for energy efficiency with maximum use of controlled ventilation.
- Certificates and approvals: CE, WEEE, ROHS & TÜV.
- Designed to UL and cUL.

Cabinet

- Easy installation
- Outdoor mounting
- Constructed of weather resistant Aluzinc sheet metal (AZ150)
- G4 Compact filter, washable
- Filter air tightening bracket

Controller

- Dantherm CC4 – 48 VDC controller, integrated in the unit
- Control of external air conditioning unit(s)
- Control of external heater
- Control of motorised damper(s)
- Communication port RS 485, Modbus protocol
- Filter monitor

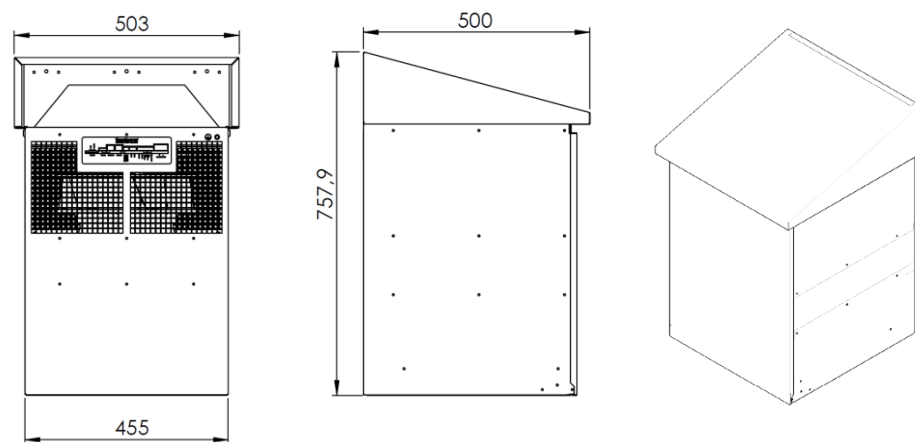
Optional features

- Motorised air outlet dampers
- Exhaust air rain hood
- Optional F5 or F7 fine compact filter
- Optional LCD display with status and alarm functions

TECHNICAL DATA
FLEXIBOX 810

Version	Unit	48V DC (EC-fan)
Item number		368453
Nominal air flow	m ³ /h	2052
Nominal cooling capacity in W / K ($\Delta t=1^{\circ}\text{C}$)	W / K	697
Nominal fan power consumption (at 80% fan speed)	W	222
Nominal sound pressure at 1m distance from shelter	dB(A)	62
Fan nominal voltage	DC	48V DC (42-57V DC)
Maximum air flow	m ³ /h	2333
Maximum cooling capacity	W / K	782
Maximum current	A	6.10
Maximum power consumption	W	329
Filter	class	G4 compact, washable
Filter area	m ²	0.75
Height	mm	758
Width	mm	503
Depth	mm	500
Weight	kg	25.5
Controller		Dantherm CC4
Fan		EBM
Approvals		CE, ROHS, TÜV

DIMENSIONS



**FLOW - &
CONNECTION CHART**

