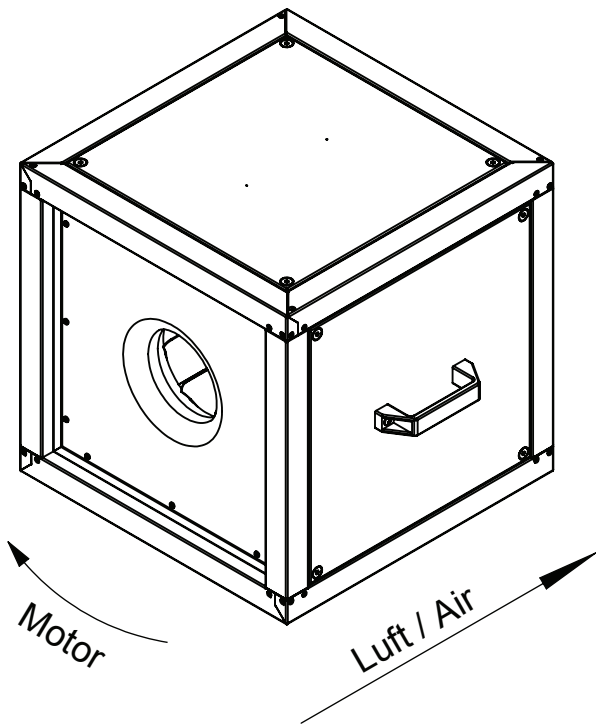
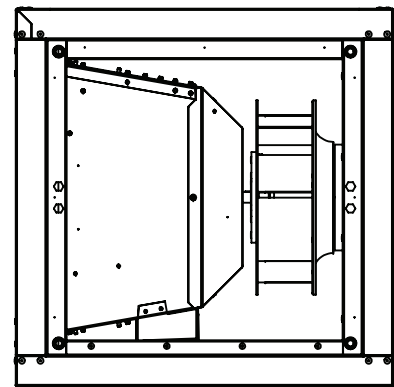


Anschlussmaß innen  
min.  $\varnothing$  195  
Connection size inside  
min.  $\varnothing$  195



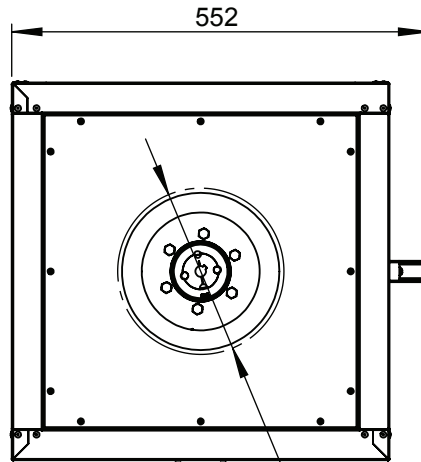
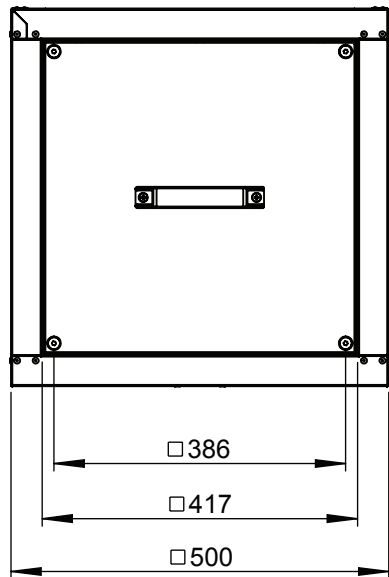
**ruck**<sup>eu</sup>  
VENTILATOREN  
ruck Ventilatoren  
Max-Planck-Str. 5  
D-97944 Boxberg

Protection Mark  
according to ISO16016  
Created s.pop  
Drawn s.pop  
Released  
Disabled

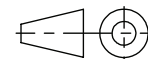
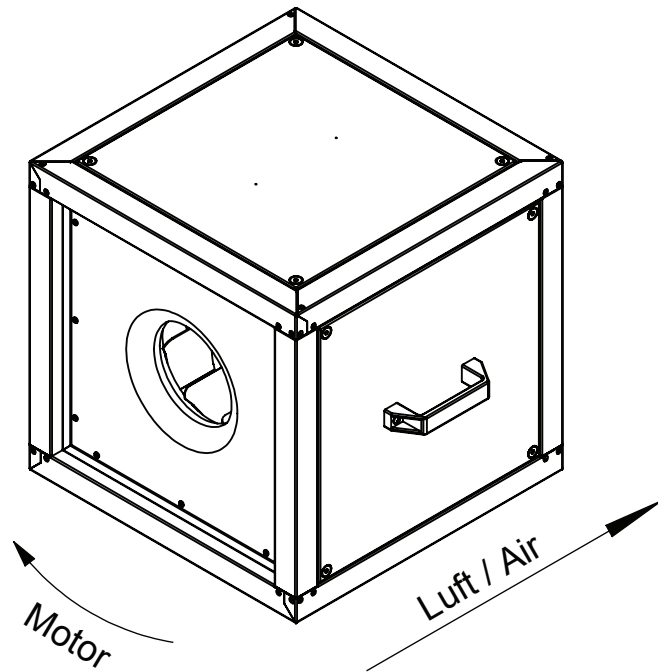
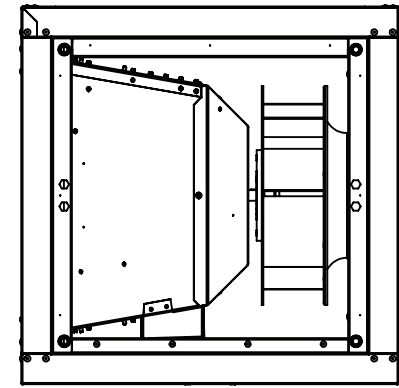
1:10 A4 mm  
General tolerances  
DIN ISO 2768-c  
24.05.2018  
24.05.2018

**MPC225D2F4T30**

**146426 00**



Anschlussmaß innen  
min.  $\varnothing 220$   
Connection size inside  
min.  $\varnothing 220$



1:10 A4 mm

Protection Mark  
according to ISO16016

General tolerances  
DIN ISO 2768-c

**MPC250D2F4T30**

Created s.pop

24.05.2018

Drawn s.pop

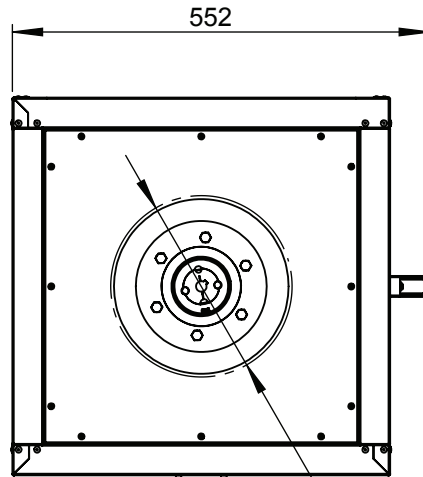
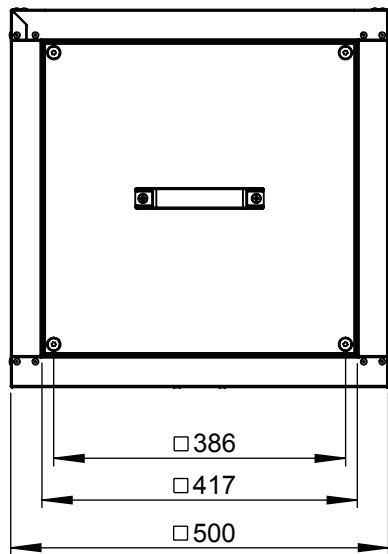
24.05.2018

Released

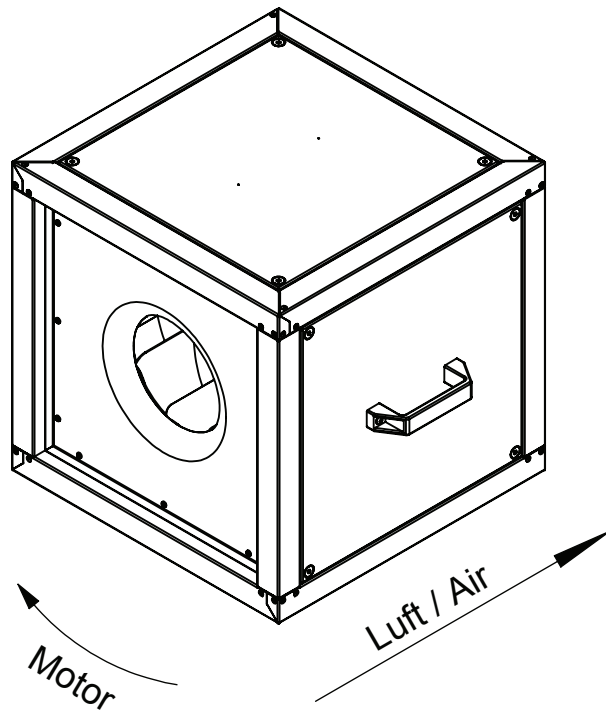
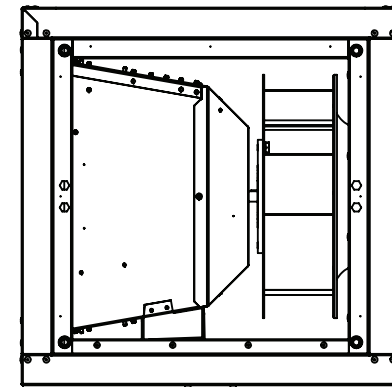
Disabled

**146434 00**

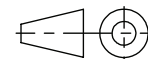
**ruck**<sup>eu</sup>  
VENTILATOREN  
ruck Ventilatoren  
Max-Planck-Str. 5  
D-97944 Boxberg



Anschlussmaß innen  
min.  $\varnothing$  240  
Connection size inside  
min.  $\varnothing$  240



**ruck**<sup>eu</sup>  
VENTILATOREN  
ruck Ventilatoren  
Max-Planck-Str. 5  
D-97944 Boxberg



Protection Mark  
according to ISO16016

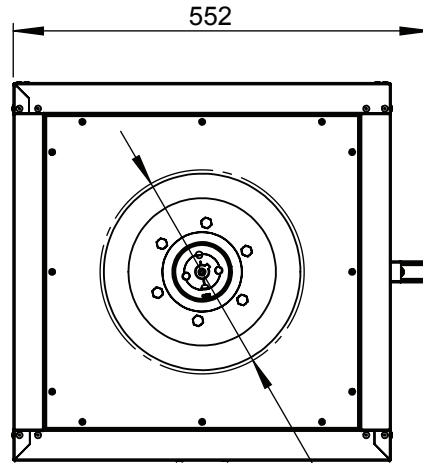
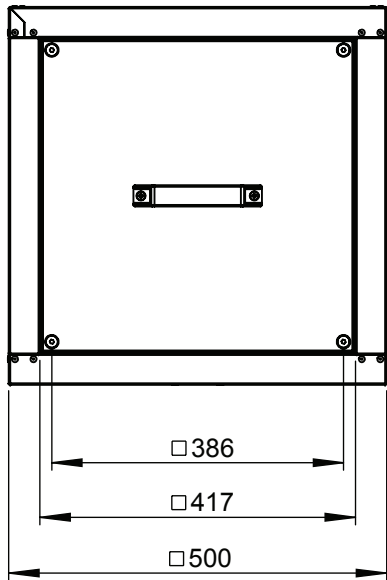
Created s.pop  
Drawn s.pop  
Released s.pop  
Disabled

1:10 A4 mm

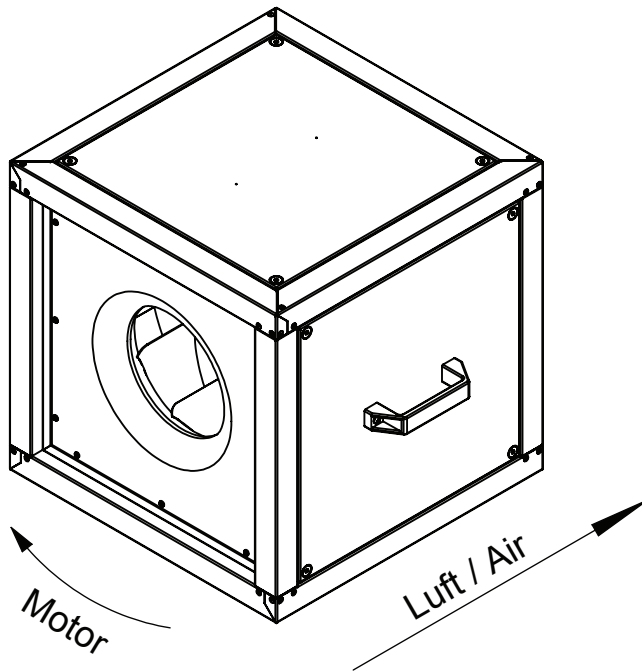
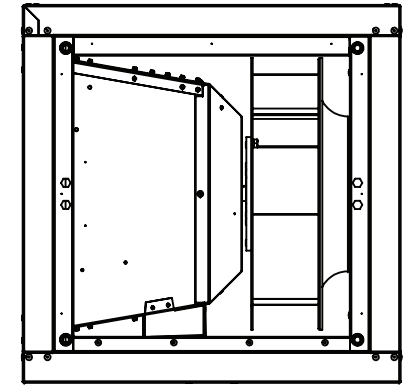
General tolerances  
DIN ISO 2768-c

**MPC280D2F4T30**

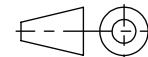
**146443 00**



Anschlussmaß innen  
min.  $\varnothing 270$   
Connection size inside  
min:  $\varnothing 270$



**ruck**<sup>eu</sup>  
VENTILATOREN  
ruck Ventilatoren  
Max-Planck-Str. 5  
D-97944 Boxberg



Protection Mark  
according to ISO16016

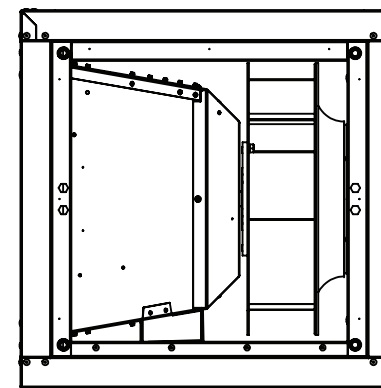
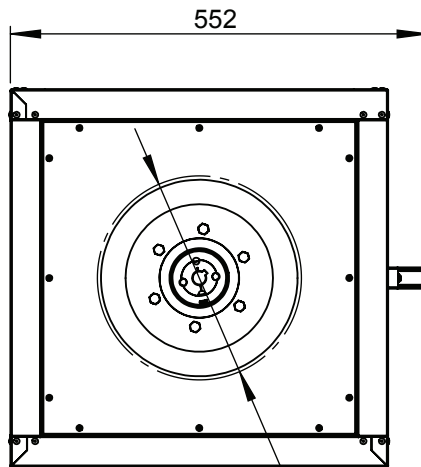
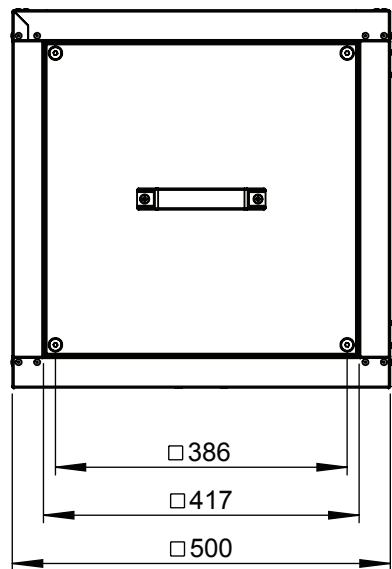
Created s.pop  
Drawn s.pop  
Released  
Disabled

1:10 A4 mm

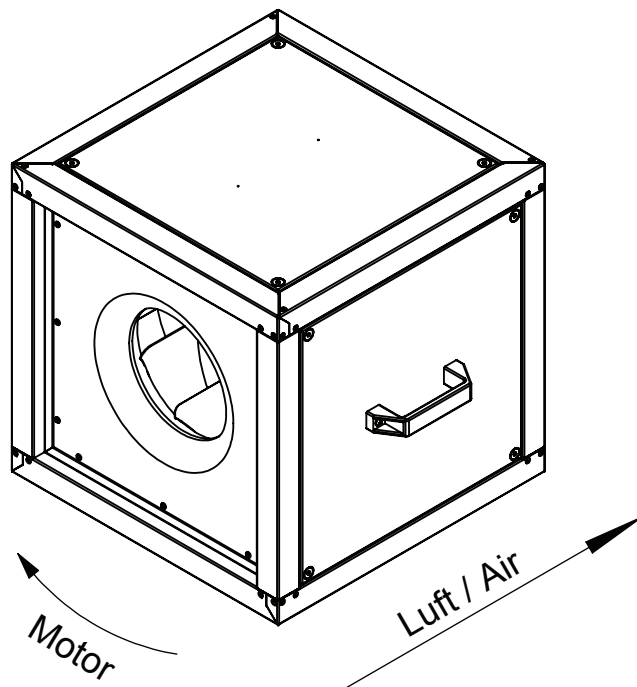
General tolerances  
DIN ISO 2768-c

**MPC315D2F4T30**

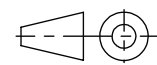
**146446 00**



Anschlussmaß innen  
 min.  $\varnothing$  270  
 Connection size inside  
 min.  $\varnothing$  270



**ruck**<sup>eu</sup>  
 VENTILATOREN  
 ruck Ventilatoren  
 Max-Planck-Str. 5  
 D-97944 Boxberg



Protection Mark  
 according to ISO16016  
 Created s.pop  
 Drawn s.pop  
 Released  
 Disabled

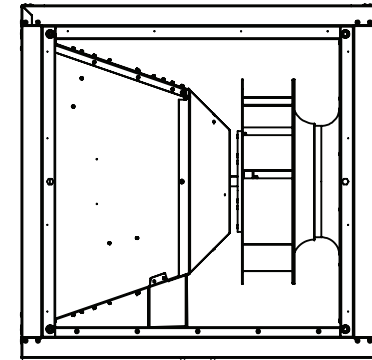
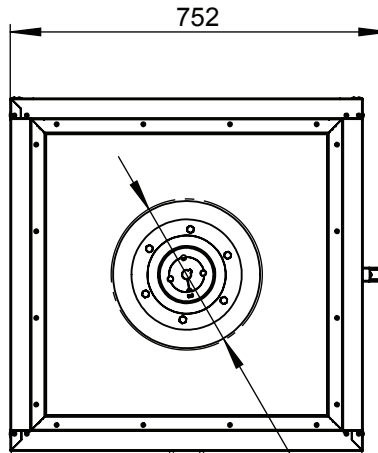
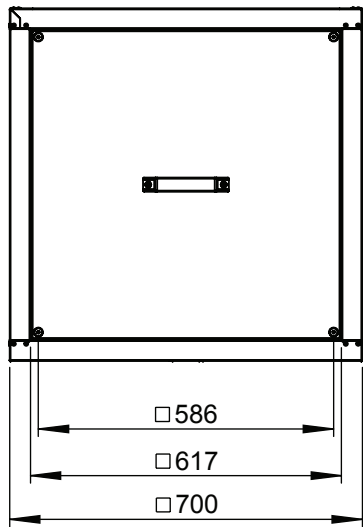
1:10 A4 mm

General tolerances  
 DIN ISO 2768-c

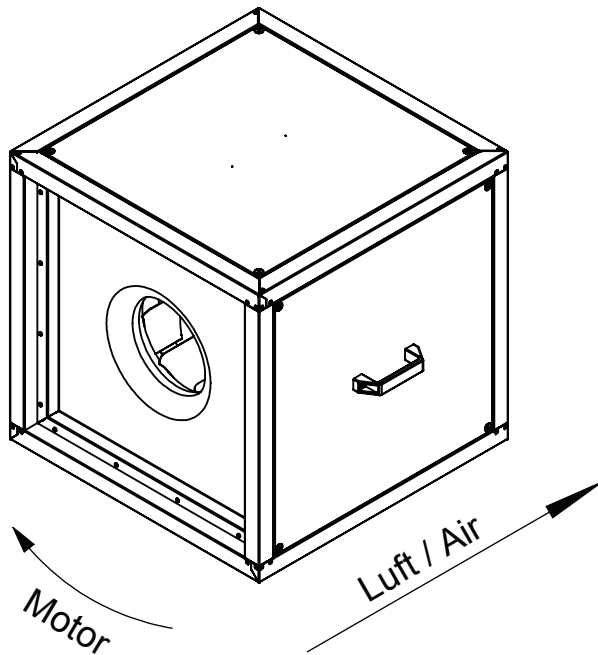
25.05.2018  
 25.05.2018

**MPC315D4F4T30**

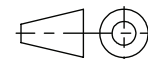
**146453 00**



Anschlussmaß innen  
min.  $\varnothing$  300  
Connection size inside  
min.  $\varnothing$  300



**ruck**<sup>eu</sup>  
VENTILATOREN  
ruck Ventilatoren  
Max-Planck-Str. 5  
D-97944 Boxberg



1:15 A4 mm

Protection Mark  
according to ISO16016

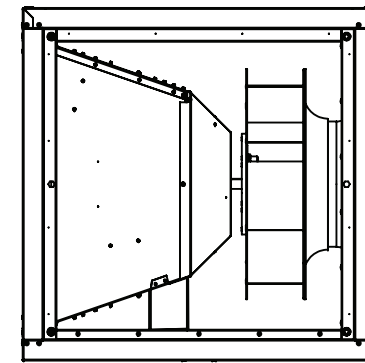
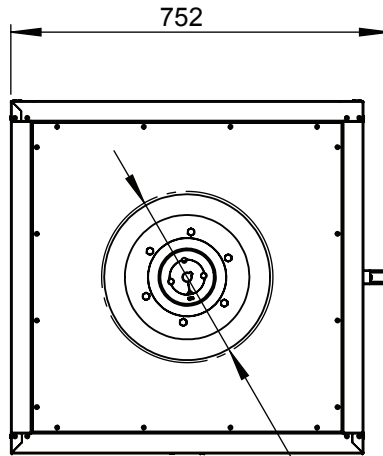
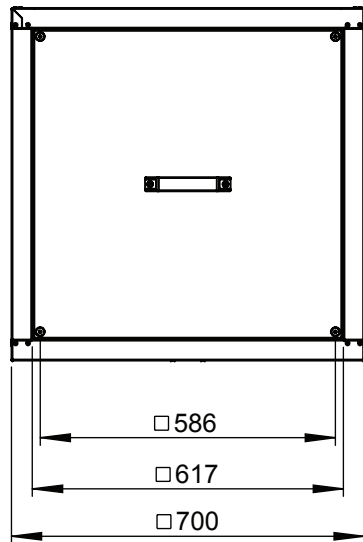
General tolerances  
DIN ISO 2768-c

Created s.pop  
Drawn s.pop  
Released  
Disabled

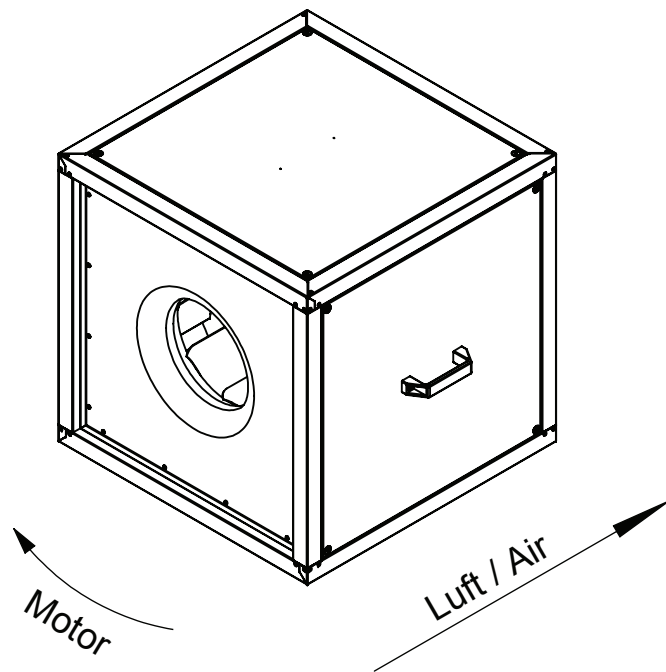
29.05.2018  
29.05.2018

**MPC355D4F4T30**

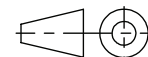
**146465 00**



Anschlussmaß innen  
min.  $\varnothing$  340  
Connection size inside  
min.  $\varnothing$  340



**ruck**<sup>eu</sup>  
VENTILATOREN  
ruck Ventilatoren  
Max-Planck-Str. 5  
D-97944 Boxberg



Protection Mark  
according to ISO16016

Created s.pop  
Drawn s.pop  
Released  
Disabled

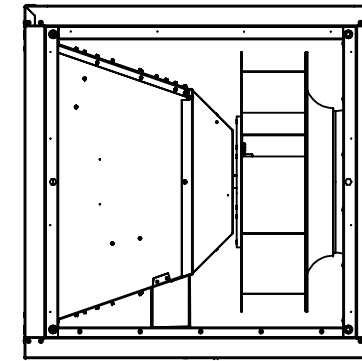
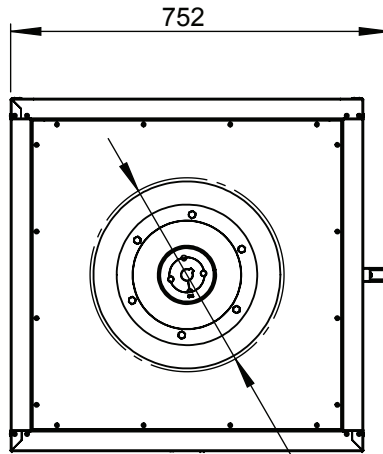
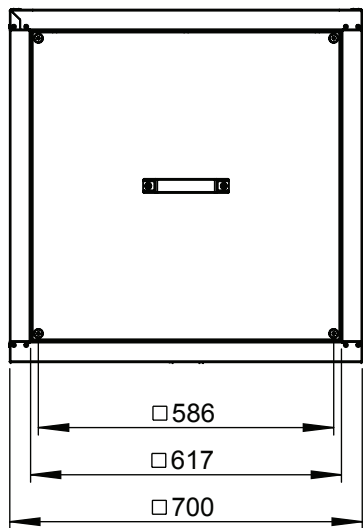
1:15 A4 mm

General tolerances  
DIN ISO 2768-c

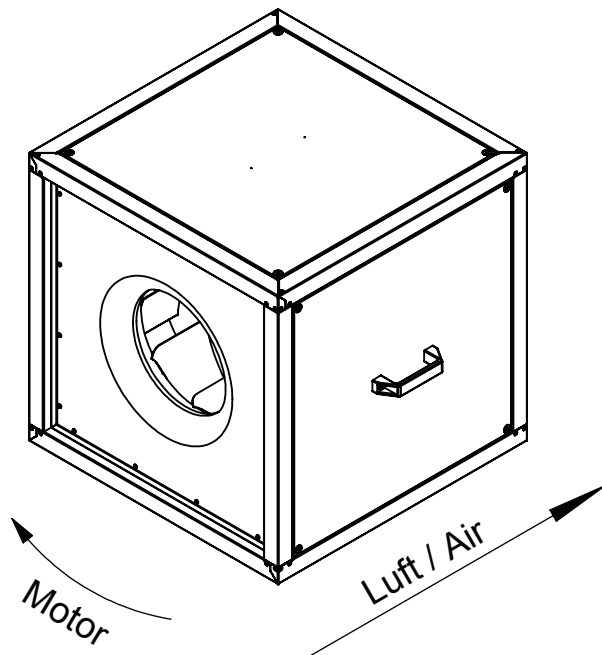
29.05.2018  
29.05.2018

**MPC400D4F4T30**

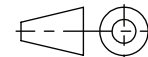
**146472 00**



Anschlussmaß innen  
min.  $\varnothing 385$   
Connection size inside  
min.  $\varnothing 385$



**ruck**<sup>eu</sup>  
VENTILATOREN  
ruck Ventilatoren  
Max-Planck-Str. 5  
D-97944 Boxberg



Protection Mark  
according to ISO16016

Created s.pop  
Drawn s.pop  
Released  
Disabled

1:15 A4 mm

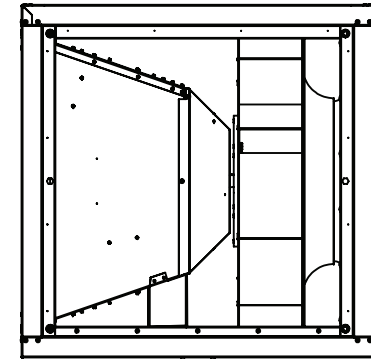
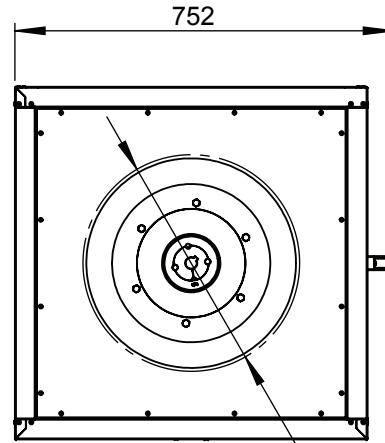
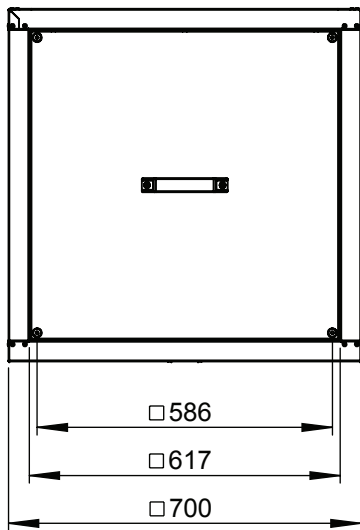
General tolerances  
DIN ISO 2768-c

29.05.2018  
29.05.2018

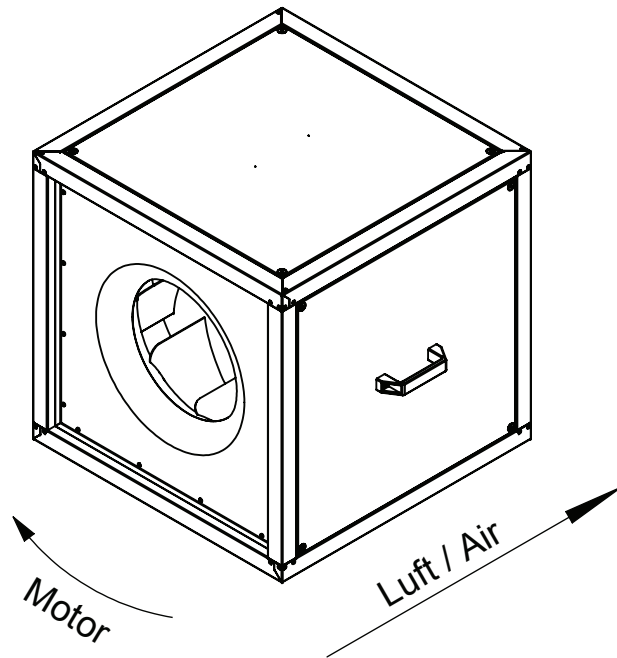
**MPC450D4F4T30**

**146474 00**

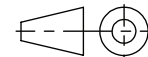




Anschlussmaß innen  
min.  $\varnothing$  430  
Connection size inside  
min.  $\varnothing$  430



**ruck**<sup>eu</sup>  
VENTILATOREN  
ruck Ventilatoren  
Max-Planck-Str. 5  
D-97944 Boxberg



Protection Mark  
according to ISO 16016

Created s.pop  
Drawn s.pop  
Released  
Disabled

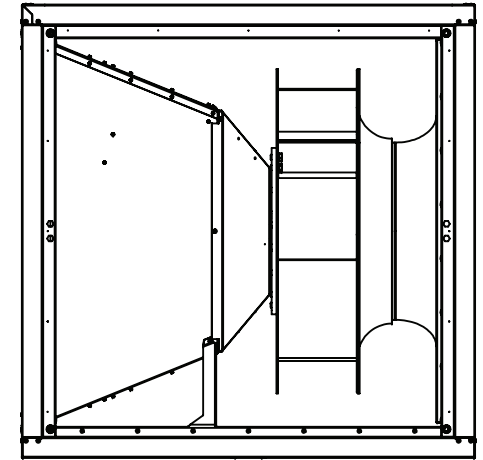
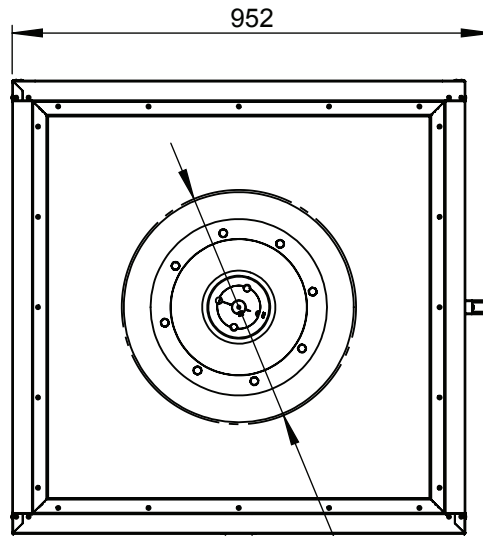
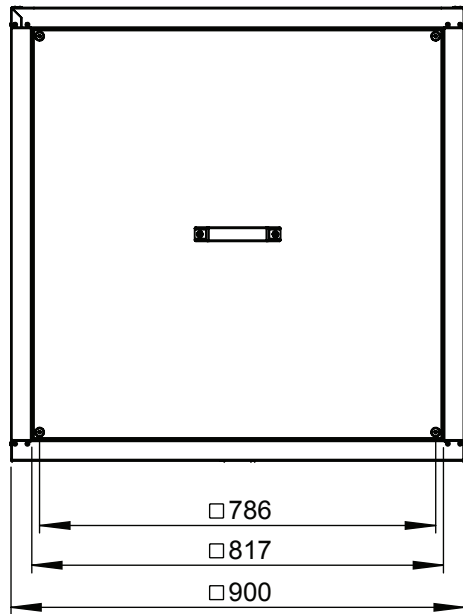
1:15 A4 mm

General tolerances  
DIN ISO 2768-c

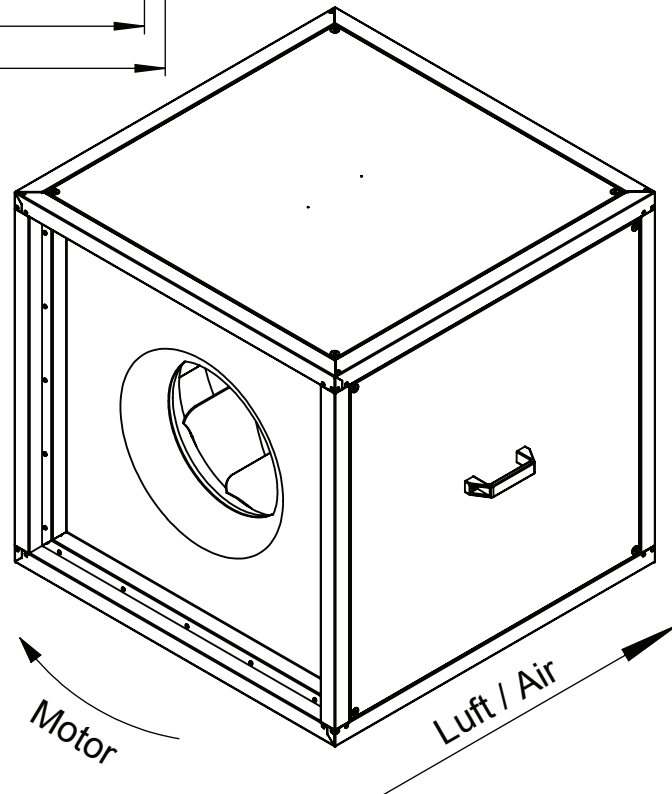
29.05.2018  
29.05.2018

**MPC500D4F4T30**

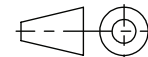
**146476 00**



Anschlussmaß innen  
min.  $\varnothing 465$   
Connection size inside  
min.  $\varnothing 465$



**ruck**<sup>eu</sup>  
VENTILATOREN  
ruck Ventilatoren  
Max-Planck-Str. 5  
D-97944 Boxberg



1:15 A4 mm

Protection Mark  
according to ISO16016

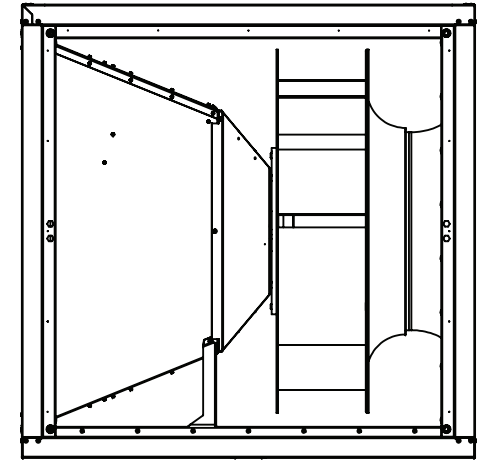
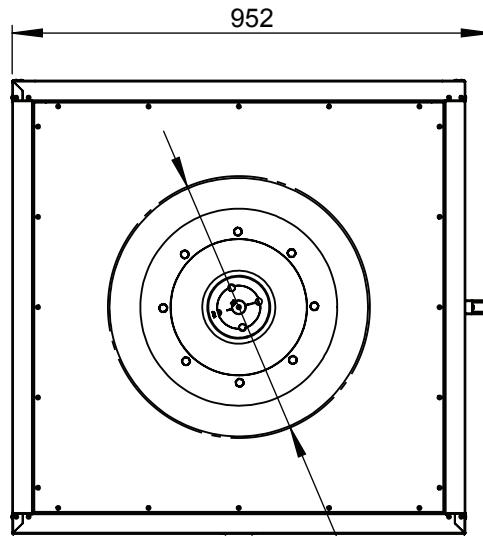
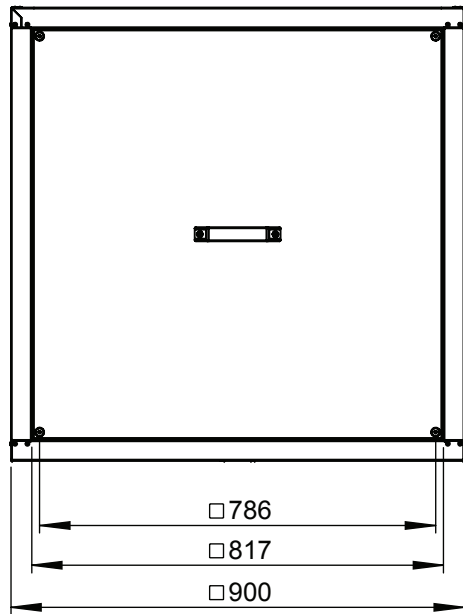
General tolerances  
DIN ISO 2768-c

Created s.pop  
Drawn s.pop  
Released  
Disabled

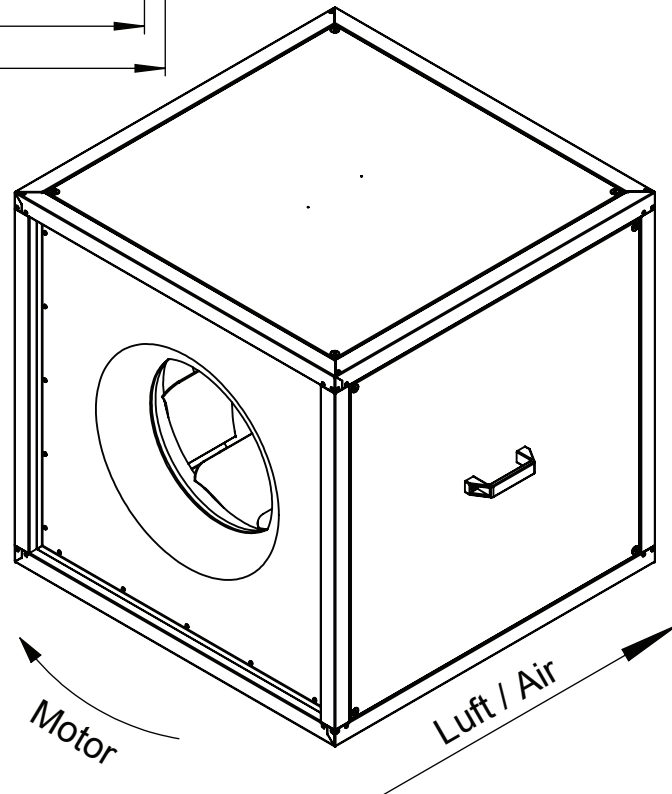
29.05.2018  
29.05.2018

**MPC560D4F4T30**

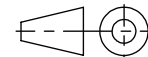
**146478 00**



Anschlussmaß innen  
min.  $\varnothing$  520  
Connection size inside  
min.  $\varnothing$  520



**ruck**<sup>eu</sup>  
VENTILATOREN  
ruck Ventilatoren  
Max-Planck-Str. 5  
D-97944 Boxberg



1:15 A4 mm

Protection Mark  
according to ISO16016

General tolerances  
DIN ISO 2768-c

Created s.pop  
Drawn s.pop  
Released  
Disabled

29.05.2018  
29.05.2018

**MPC630D4F4T30**

**146481 00**