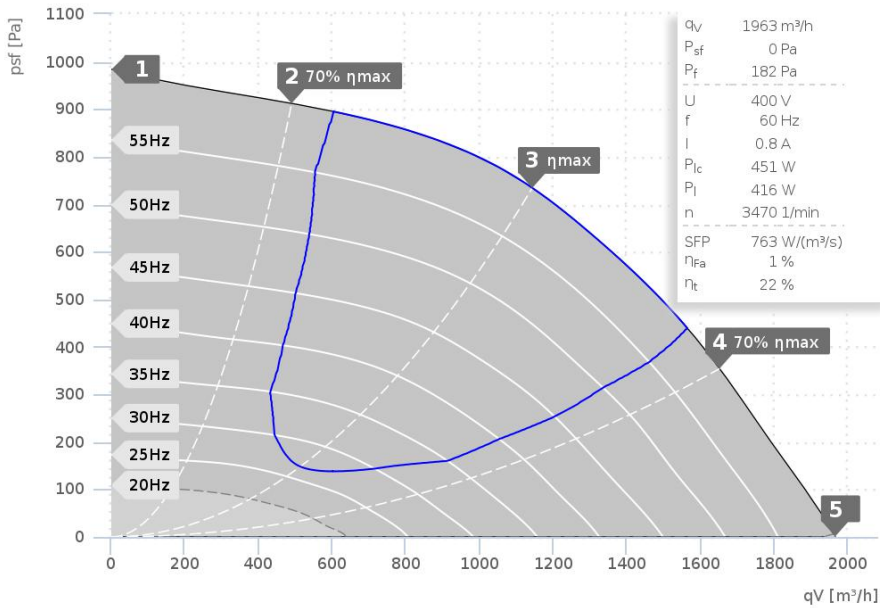


# DATA SHEET

## MPS 225 D2 F4 30 | 145815



— ErP compliant range

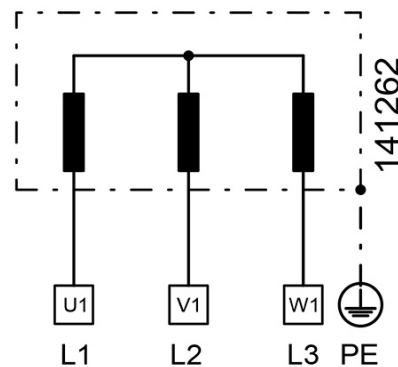
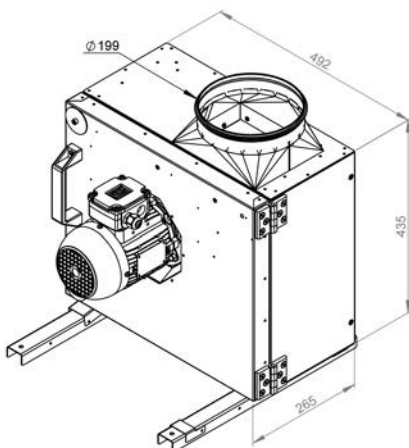


- 200 °C constant operation and 400 °C / 2h
- Motor outside of air stream
- Speed controllable
- Swing-out fan unit
- With condensate and grease drain
- Certified according to EN 12101-3:2015 with Certificate 1404-CPR-3070
- Star-Delta operation possible
- Star: direct 400V 3~ grid or frequency converter with 400V output
- Delta: direct 230V 3~ grid or frequency converter with 230V 1~ input and 230V 3~ output

Operating Point		1	2	3	4	5
Current I	A	0,6	0,7	0,9	0,9	0,8
Power consumption P <sub>1</sub>	W	239	368	475	471	416
RPM n	1/min	3521	3476	3437	3443	3470
SPL inlet L <sub>WA5</sub>	dB(A)	82	81	79	83	85
SPL outlet L <sub>WA6</sub>	dB(A)	84	83	83	87	88
SPL casing break out L <sub>WA2</sub>	dB(A)	76	76	74	75	76

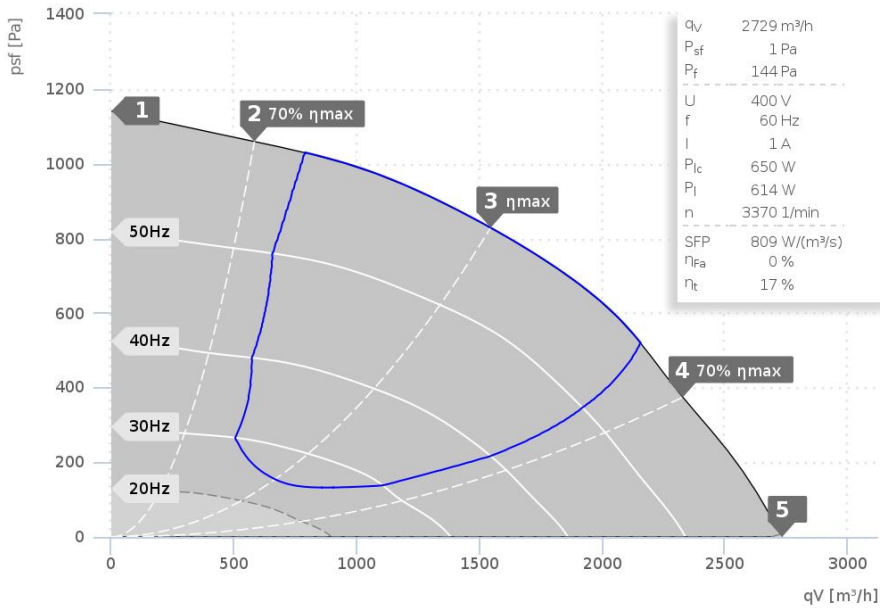
Sound power (L <sub>W</sub> ) dB(A)		Medium Frequency Band								
		Σ	63	125	250	500	1k	2k	4k	8k
Inlet	L <sub>WA5</sub>	85	48	66	72	80	79	77	77	69
Outlet	L <sub>WA6</sub>	88	47	67	70	85	79	81	78	72
Casing	L <sub>WA2</sub>	76	50	65	64	69	69	71	66	59

MPS 225 D2 F4 30   145815	
Voltage U <sub>N</sub>	400 V 3~
Current I <sub>max</sub>	0,9 A
Ambient temperature t <sub>A</sub>	50 °C
Medium temperatures t <sub>M</sub>	200 °C
Speed Control	f
Motor Protection	
Isolation Class	F
Weight	29,3 kg



# DATA SHEET

MPS 250 D2 F4 30 | 145819



q <sub>v</sub>	2729 m <sup>3</sup> /h
P <sub>sf</sub>	1 Pa
P <sub>f</sub>	144 Pa
U	400 V
f	60 Hz
I	1 A
P <sub>lc</sub>	650 W
P <sub>l</sub>	614 W
n	3370 1/min
SFP	809 W/(m <sup>3</sup> /s)
η <sub>Pa</sub>	0 %
η <sub>t</sub>	17 %



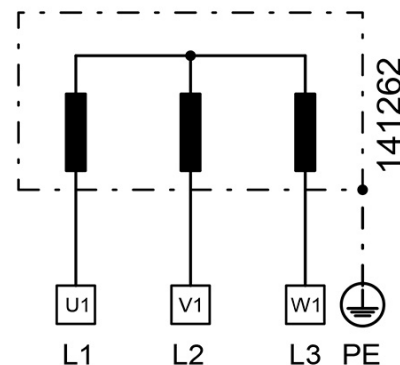
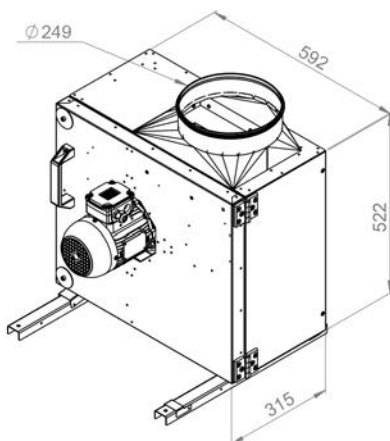
- 200 °C constant operation and 400 °C / 2h
- Motor outside of air stream
- Speed controllable
- Swing-out fan unit
- With condensate and grease drain
- Certified according to EN 12101-3:2015 with Certificate 1404-CPR-3070
- Star-Delta operation possible
- Star: direct 400V 3~ grid or frequency converter with 400V output
- Delta: direct 230V 3~ grid or frequency converter with 230V 1~ input and 230V 3~ output

— ErP compliant range

Operating Point		1	2	3	4	5
Current I	A	0,6	0,9	1,2	1,1	1,0
Power consumption P <sub>1</sub>	W	323	508	725	698	614
RPM n	1/min	3475	3391	3292	3316	3372
SPL inlet L <sub>WA5</sub>	dB(A)	84	84	82	86	89
SPL outlet L <sub>WA6</sub>	dB(A)	86	86	85	89	88
SPL casing break out L <sub>WA2</sub>	dB(A)	75	74	72	74	75

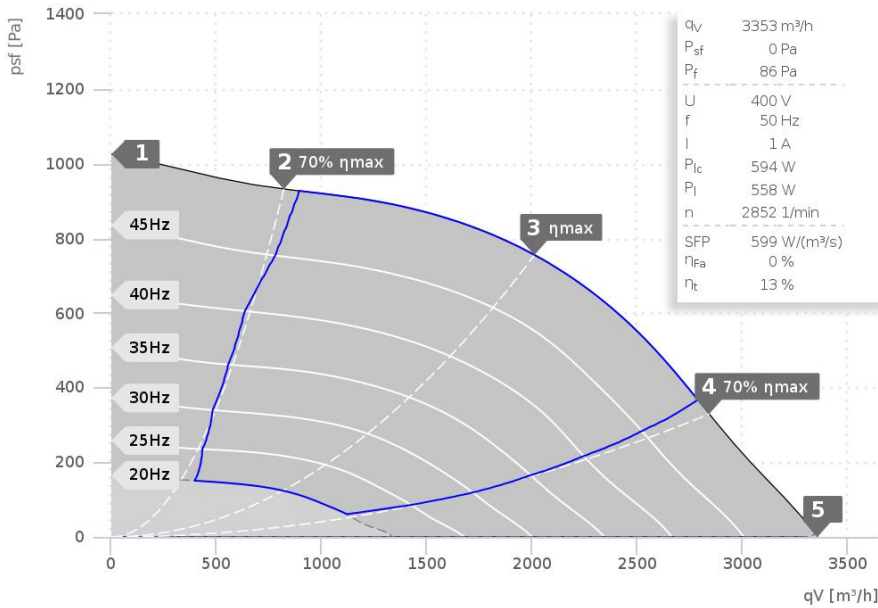
Sound power (L <sub>W</sub> ) dB(A)		Medium Frequency Band								
		Σ	63	125	250	500	1k	2k	4k	8k
Inlet	L <sub>WA5</sub>	89	53	69	79	87	80	77	76	70
Outlet	L <sub>WA6</sub>	88	57	67	79	82	81	82	78	72
Casing	L <sub>WA2</sub>	75	58	69	69	67	66	68	62	55

MPS 250 D2 F4 30   145819	
Voltage U <sub>N</sub>	400 V 3~
Current I <sub>max</sub>	1,3 A
Ambient temperature t <sub>A</sub>	50 °C
Medium temperatures t <sub>M</sub>	200 °C
Speed Control	f
Motor Protection	
Isolation Class	F
Weight	38,0 kg



# DATA SHEET

MPS 280 D2 F4 30 | 145832



— ErP compliant range

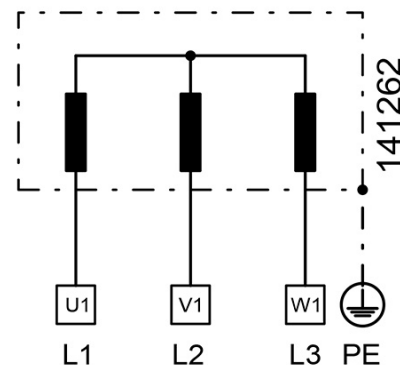
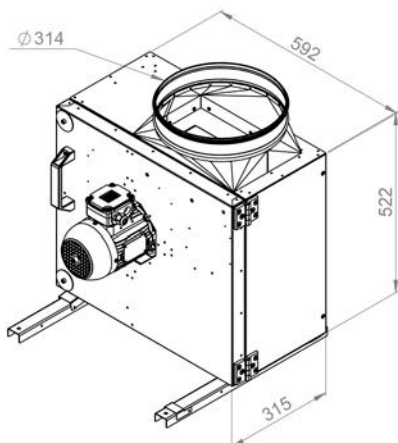


- 200 °C constant operation and 400 °C / 2h
- Motor outside of air stream
- Speed controllable
- Swing-out fan unit
- With condensate and grease drain
- Certified according to EN 12101-3:2015 with Certificate 1404-CPR-3070
- Star-Delta operation possible
- Star: direct 400V 3~ grid or frequency converter with 400V output
- Delta: direct 230V 3~ grid or frequency converter with 230V 1~ input and 230V 3~ output

Operating Point		1	2	3	4	5
Current I	A	0,8	1,0	1,3	1,1	1,0
Power consumption P <sub>1</sub>	W	323	551	753	659	558
RPM n	1/min	2910	2835	2771	2810	2852
SPL inlet L <sub>WA5</sub>	dB(A)	84	82	81	85	86
SPL outlet L <sub>WA6</sub>	dB(A)	86	86	85	88	90
SPL casing break out L <sub>WA2</sub>	dB(A)	75	75	75	77	75

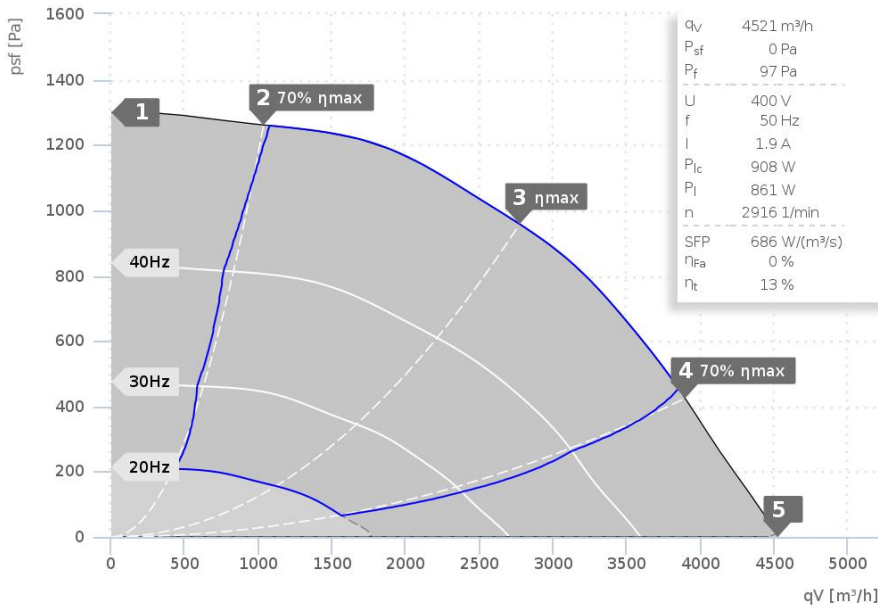
Sound power (L <sub>W</sub> ) dB(A)		Medium Frequency Band								
		Σ	63	125	250	500	1k	2k	4k	8k
Inlet	L <sub>WA5</sub>	86	49	66	78	83	80	78	75	69
Outlet	L <sub>WA6</sub>	90	52	66	86	81	83	83	79	75
Casing	L <sub>WA2</sub>	75	52	65	70	64	72	65	58	49

MPS 280 D2 F4 30   145832	
Voltage U <sub>N</sub>	400 V 3~
Current I <sub>max</sub>	1,3 A
Ambient temperature t <sub>A</sub>	50 °C
Medium temperatures t <sub>M</sub>	200 °C
Speed Control	f
Motor Protection	
Isolation Class	F
Weight	38,5 kg



# DATA SHEET

## MPS 315 D2 F4 30 | 145840



— ErP compliant range

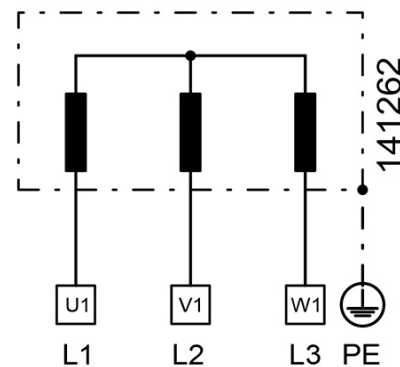
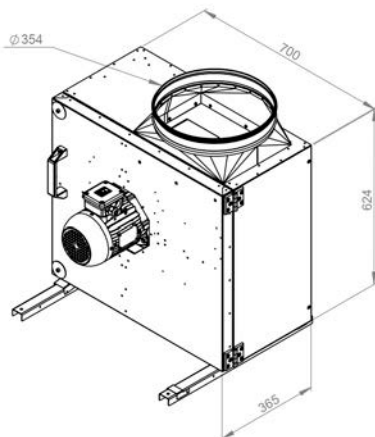


- 200 °C constant operation and 400 °C / 2h
- Motor outside of air stream
- Speed controllable
- Swing-out fan unit
- With condensate and grease drain
- Certified according to EN 12101-3:2015 with Certificate 1404-CPR-3070
- Star-Delta operation possible
- Star: direct 400V 3~ grid or frequency converter with 400V output
- Delta: direct 230V 3~ grid or frequency converter with 230V 1~ input and 230V 3~ output

Operating Point		1	2	3	4	5
Current I	A	1,6	1,9	2,3	2,1	1,9
Power consumption P <sub>l</sub>	W	490	866	1211	1070	861
RPM n	1/min	2944	2901	2862	2885	2916
SPL inlet L <sub>WA5</sub>	dB(A)	87	86	87	91	93
SPL outlet L <sub>WA6</sub>	dB(A)	89	88	87	90	92
SPL casing break out L <sub>WA2</sub>	dB(A)	77	75	72	75	75

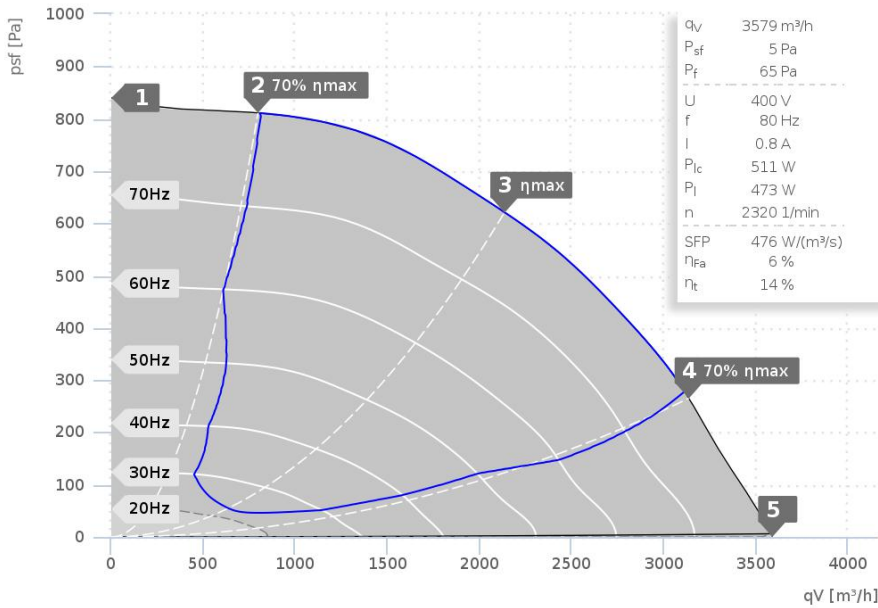
Sound power (L <sub>W</sub> ) dB(A)		Medium Frequency Band								
		Σ	63	125	250	500	1k	2k	4k	8k
Inlet	L <sub>WA5</sub>	93	57	69	90	87	82	81	79	73
Outlet	L <sub>WA6</sub>	92	54	67	84	83	87	85	81	76
Casing	L <sub>WA2</sub>	75	60	66	71	66	67	68	65	57

MPS 315 D2 F4 30   145840	
Voltage U <sub>N</sub>	400 V 3~
Current I <sub>max</sub>	2,4 A
Ambient temperature t <sub>A</sub>	50 °C
Medium temperatures t <sub>M</sub>	200 °C
Speed Control	f
Motor Protection	
Isolation Class	F
Weight	52,9 kg



# DATA SHEET

## MPS 315 D4 F4 30 | 145845



— ErP compliant range

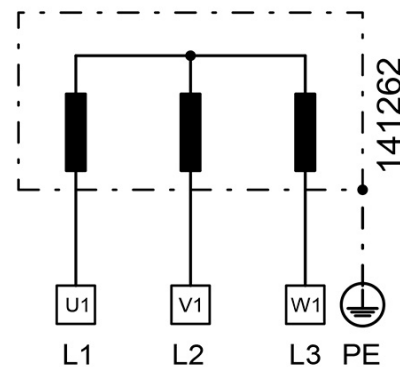
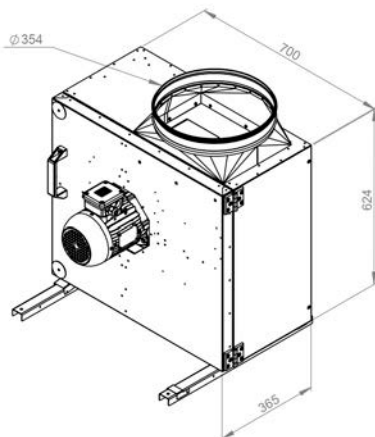


- 200 °C constant operation and 400 °C / 2h
- Motor outside of air stream
- Speed controllable
- Swing-out fan unit
- With condensate and grease drain
- Certified according to EN 12101-3:2015 with Certificate 1404-CPR-3070
- Star-Delta operation possible
- Star: direct 400V 3~ grid or frequency converter with 400V output
- Delta: direct 230V 3~ grid or frequency converter with 230V 1~ input and 230V 3~ output

Operating Point		1	2	3	4	5
Current $I$	A	0,6	0,8	1,1	1,0	0,8
Power consumption $P_1$	W	266	462	662	583	471
RPM $n$	1/min	2351	2320	2279	2299	2320
SPL inlet $L_{WA5}$	dB(A)	80	79	79	83	85
SPL outlet $L_{WA6}$	dB(A)	82	80	80	84	89
SPL casing break out $L_{WA2}$	dB(A)	71	70	71	72	72

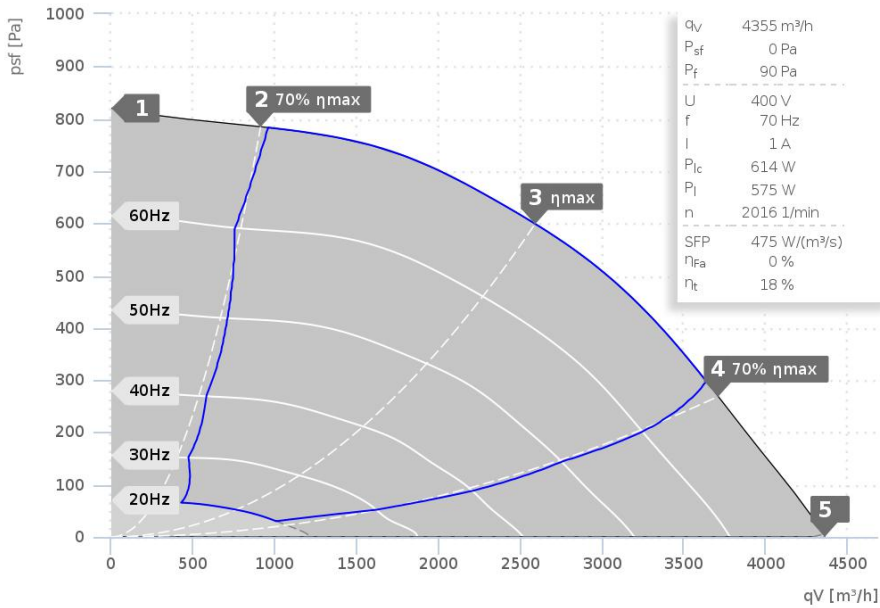
Sound power ( $L_W$ ) dB(A)		Medium Frequency Band								
		$\Sigma$	63	125	250	500	1k	2k	4k	8k
Inlet	$L_{WA5}$	85	46	67	81	80	77	76	74	66
Outlet	$L_{WA6}$	89	51	64	83	80	83	82	78	72
Casing	$L_{WA2}$	72	50	62	70	62	62	64	57	49

MPS 315 D4 F4 30   145845	
Voltage $U_N$	400 V 3~
Current $I_{max}$	1,2 A
Ambient temperature $t_A$	50 °C
Medium temperatures $t_M$	200 °C
Speed Control	f
Motor Protection	
Isolation Class	F
Weight	52,9 kg



# DATA SHEET

MPS 355 D4 F4 30 | 145862



— ErP compliant range



- 200 °C constant operation and 400 °C / 2h
- Motor outside of air stream
- Speed controllable
- Swing-out fan unit
- With condensate and grease drain
- Certified according to EN 12101-3:2015 with Certificate 1404-CPR-3070
- Star-Delta operation possible
- Star: direct 400V 3~ grid or frequency converter with 400V output
- Delta: direct 230V 3~ grid or frequency converter with 230V 1~ input and 230V 3~ output

Operating Point		1	2	3	4	5
Current I	A	0,6	0,9	1,3	1,2	1,0
Power consumption P <sub>1</sub>	W	302	514	768	698	575
RPM n	1/min	2053	2019	1974	1992	2016
SPL inlet L <sub>WA5</sub>	dB(A)	82	81	81	84	86
SPL outlet L <sub>WA6</sub>	dB(A)	83	82	82	84	86
SPL casing break out L <sub>WA2</sub>	dB(A)	72	69	68	71	73

Sound power (L <sub>W</sub> ) dB(A)		Medium Frequency Band								
		Σ	63	125	250	500	1k	2k	4k	8k
Inlet	L <sub>WA5</sub>	86	48	68	79	81	80	78	77	72
Outlet	L <sub>WA6</sub>	86	50	67	79	78	82	80	77	70
Casing	L <sub>WA2</sub>	73	50	65	70	62	62	62	58	52

MPS 355 D4 F4 30   145862	
Voltage U <sub>N</sub>	400 V 3~
Current I <sub>max</sub>	1,4 A
Ambient temperature t <sub>A</sub>	50 °C
Medium temperatures t <sub>M</sub>	200 °C
Speed Control	f
Motor Protection	
Isolation Class	F
Weight	54,7 kg

