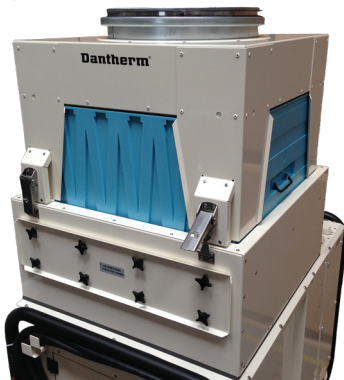




The HEPA filter unit is mounted on top of the AC-M18 unit



The HEPA filter unit stand-alone



AC-M18 with HEPA filter unit and protective tarpaulin

HEPA FILTER UNIT

As a supplement to all AC-M18 aircon units, a HEPA filter unit is available for use in clean room solutions. The HEPA filter unit can be fitted with different kinds of filters, depending on the actual requirements. H13 and H14 filters are available.

The HEPA filter unit is for external installation and it is mounted on top of the AC-M18 evaporator side, over the upper supply opening. The HEPA filter unit is designed for clean room solutions, such as field hospitals and workshops for sensitive equipment.

Up to four filters can be used in the air stream when mounting a HEPA filter unit on top of the AC-M18 (2 + 2 filters).

Besides the clean room advantage, the HEPA filter unit also offers a reduction of the internal fan noise from the aircon of 3 dB (1m distance).

Be aware that operating the AC-M18 with additional filtering, will decrease the internal air flow due to higher overall system pressure. For specific information about reduction in air flow, please contact Dantherm's technical department.

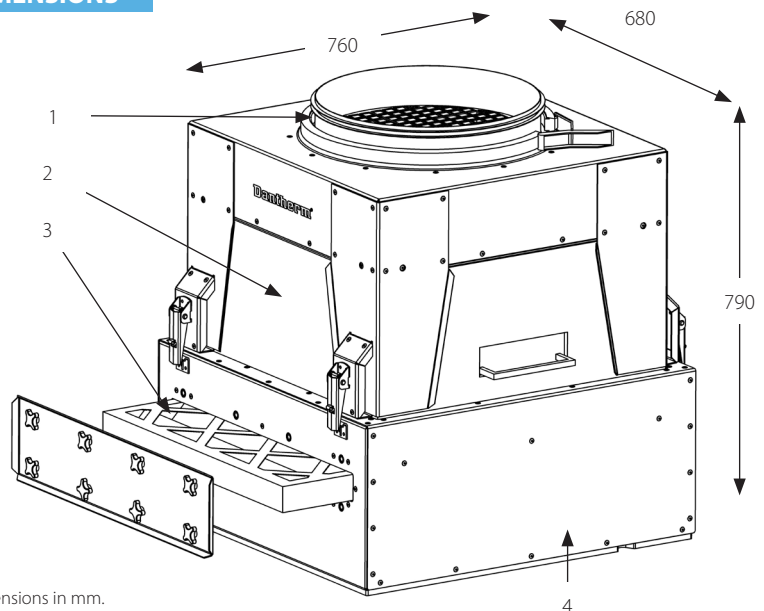
TECHNICAL DATA

Nato Stock Number	NSN	5670-22-627-5445
Flex. air duct connection	Ømm	400
Filter collection efficiency for H13	%	99,95
Filter collection efficiency for H14	%	99,995
Weight (with HEPA and pre-filter)	kg	38
Dimensions LxWxH	mm	760x680x790

Components and airflow

1. Duct coupling (400 mm)
2. HEPA filter
3. Filter options (pre-filter)
4. Air intake from AC-M18

DIMENSIONS



Dimensions in mm.